

MAGICOR

Premium Wall Panel

Wall Panel Application User Guide

- Please read the guide carefully before starting the application.
- The panel should be checked if there is any damage on it.
- Application should follow local construction or fire regulation.
- Please follow application standard and our remark in order to avoid contraction and expansion of the panel by environment.
- Protection film is attached onto the face of the panel.

Safety Precautions

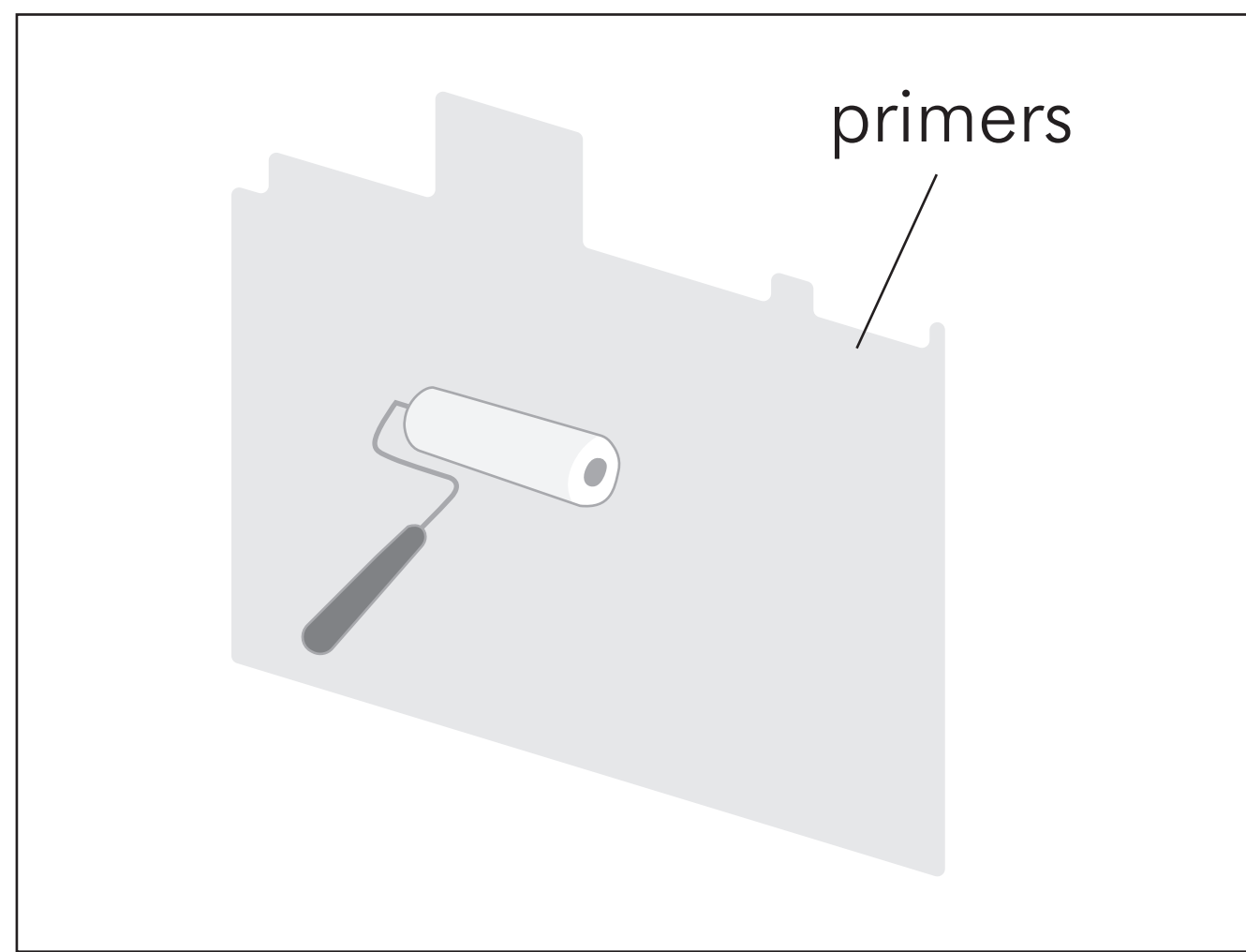
- When processing the substrate, follow application guide from substrate manufacturer.
- Residential gas range should be more than 150mm away from the panel.
- The panel should not be placed near commercial gas range.
- While moving and applying the panel, please wear anti-slip gloves, protection mask, and protection glasses.
Cutter should be dust-proof. Keep your environment ventilated.
- If dust hits your skin, eyes, nose or mouth, wash with water immediately.
- Be careful while holding the cut edges of the panel (prone to finger injury).

Application Process

Substrate Check (Primer Application) ➡ Panel Layout ➡ Cutting and Processing ➡
Double-sided Tape Application ➡ Adhesive Application ➡ Panel Application ➡ Protection Film Removal
(Adhesive should be cured for 2 days after panel application.)

Construction Method

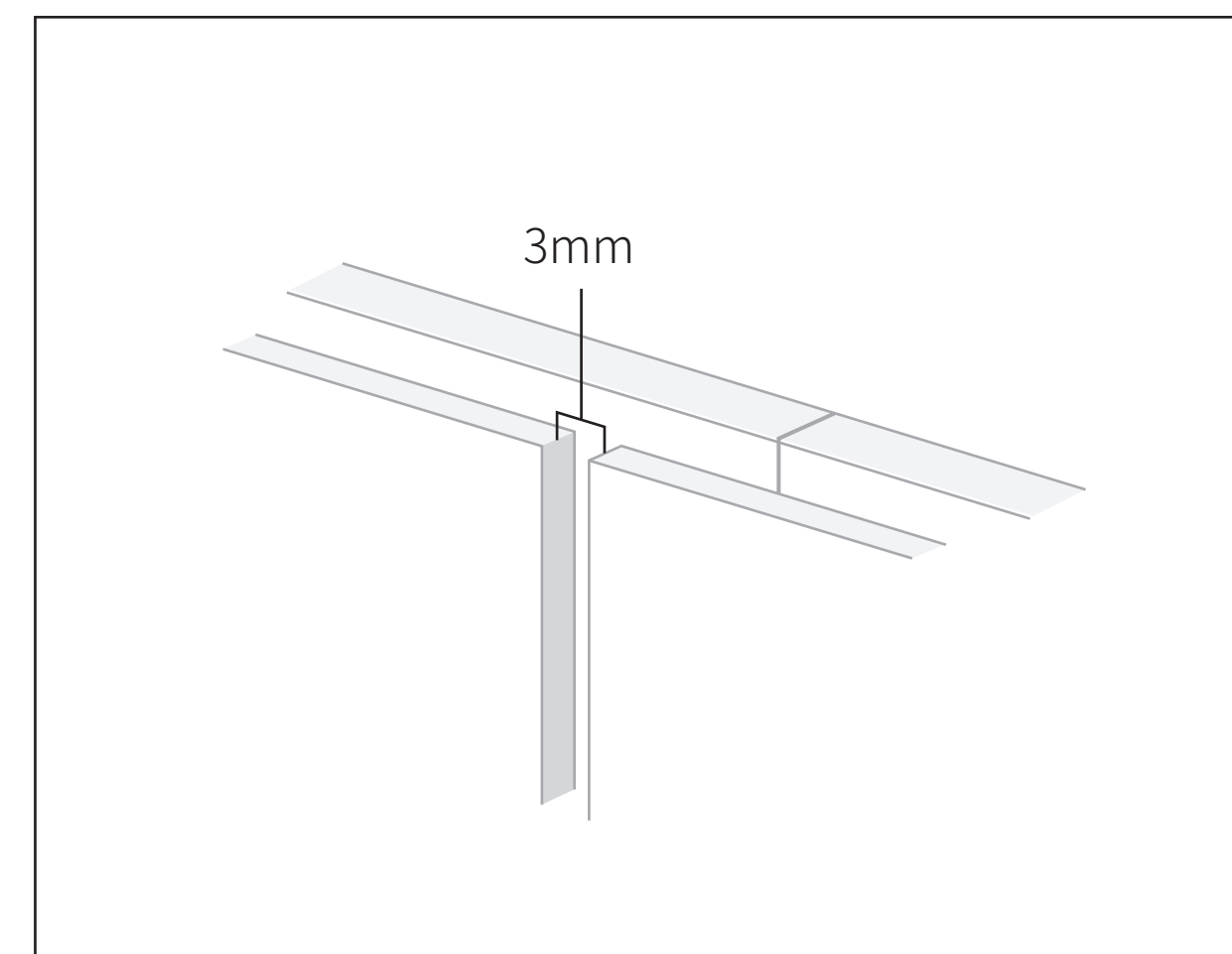
1 Substrate Check



Apply primer on substrate in advance if substrate is concrete, plywood or gypsum board. Ensure that substrate is flat and cleansed with cleaning agent.

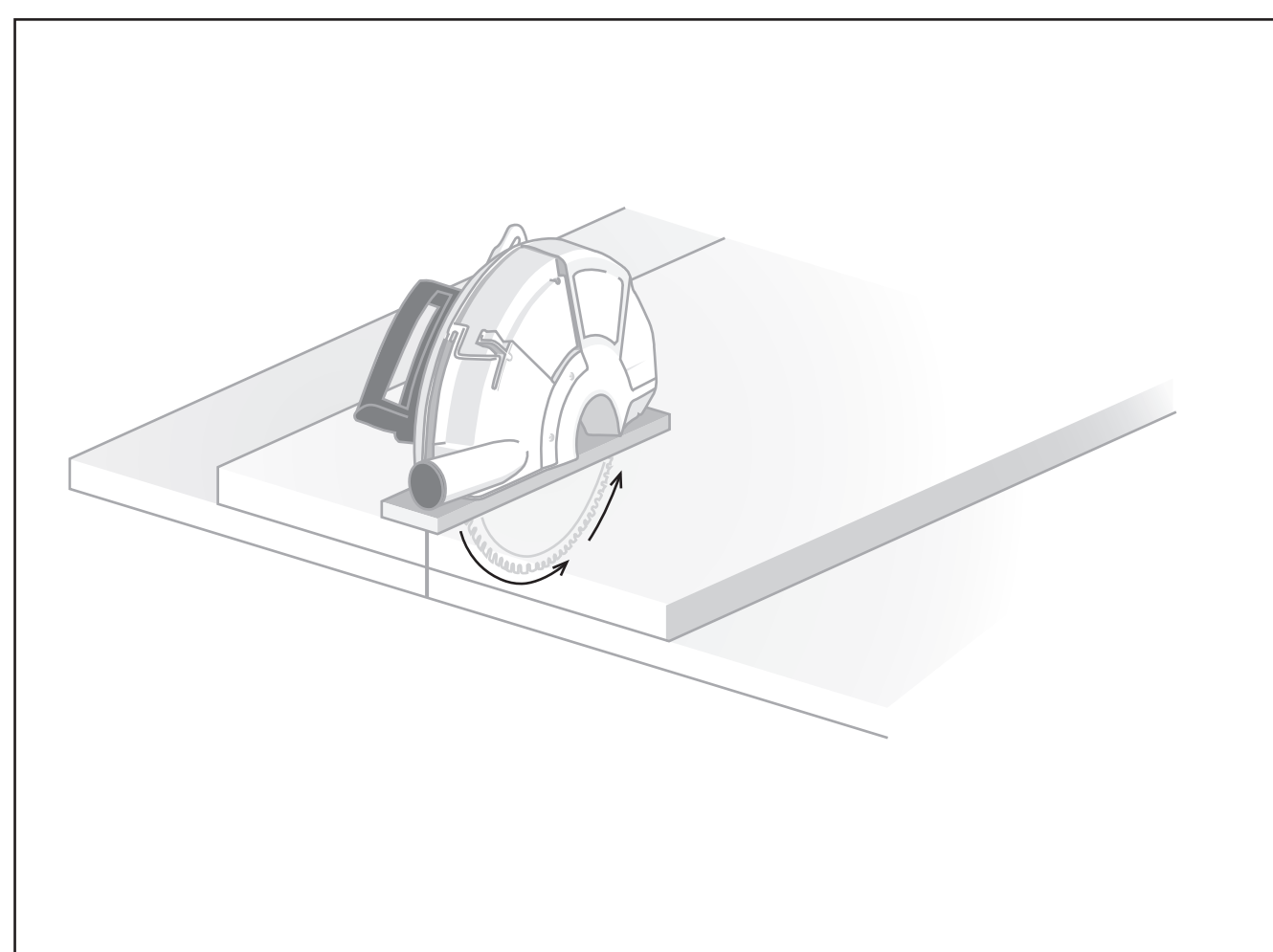
Recommended primer:
Similar primers to
3M UPUV PRIMER 946ml

2 Panel Layout



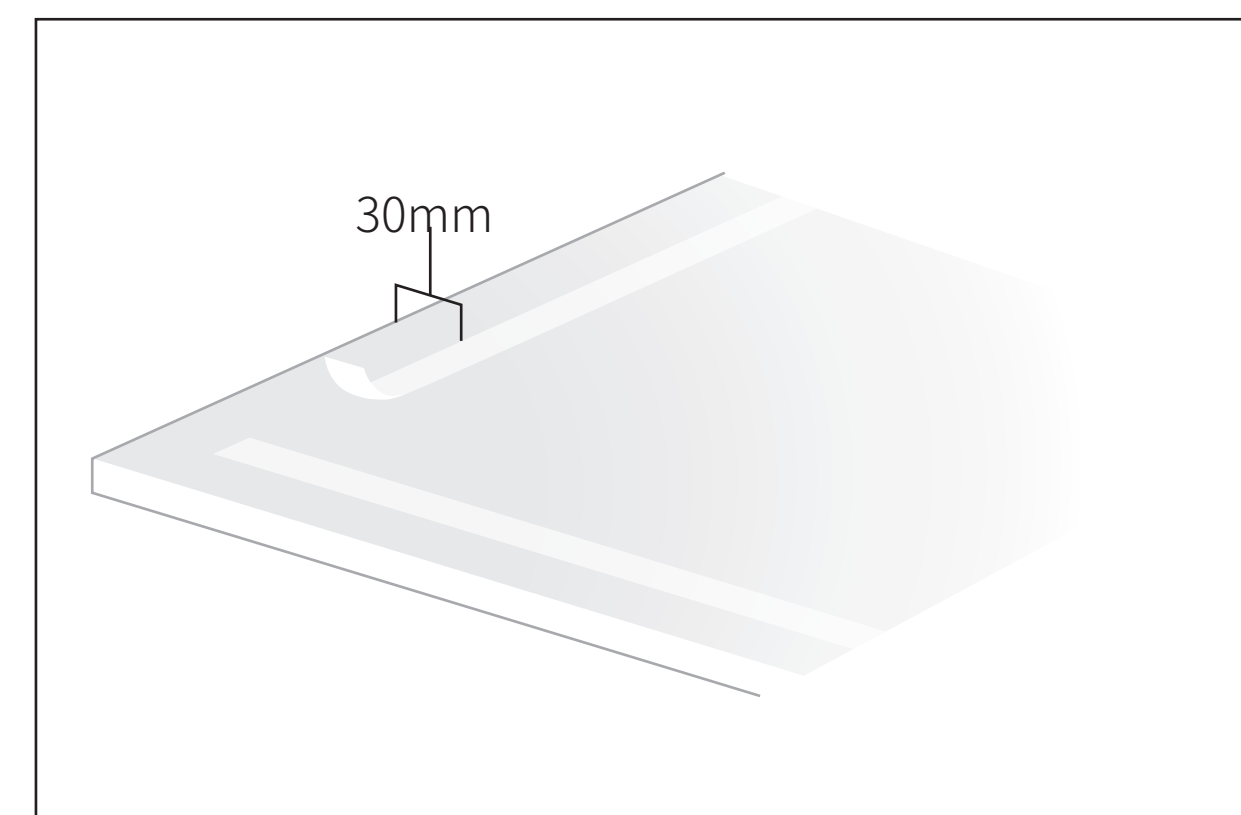
Joint of substrate and joint of wall panel should be laid out in different position. If wall panels are applied without gap in between, they could be delaminated by expansion. The gap should be at least 3mm wide.

3 Cutting and Processing



Use splint in order to keep the cutting edge clean. The cutter should start cutting from the top face of the panel and cut through completely. (Protection film is on the top face)

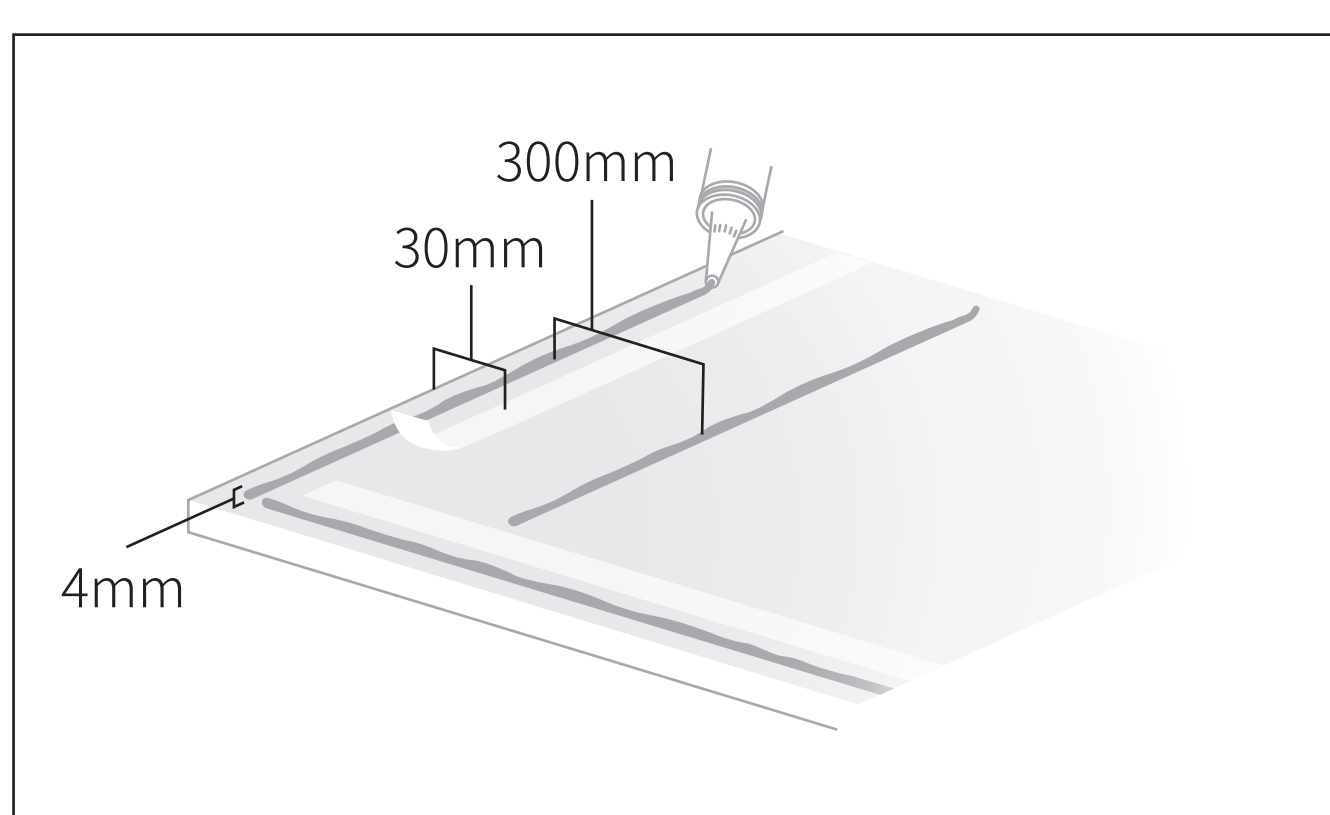
4 Double-sided Tape Application



Apply double-sided tape 30mm away from edge of the panel. This gives a temporary fix until the adhesive dries completely.

Recommended tape:
Similar tape to 3M VHB #5952

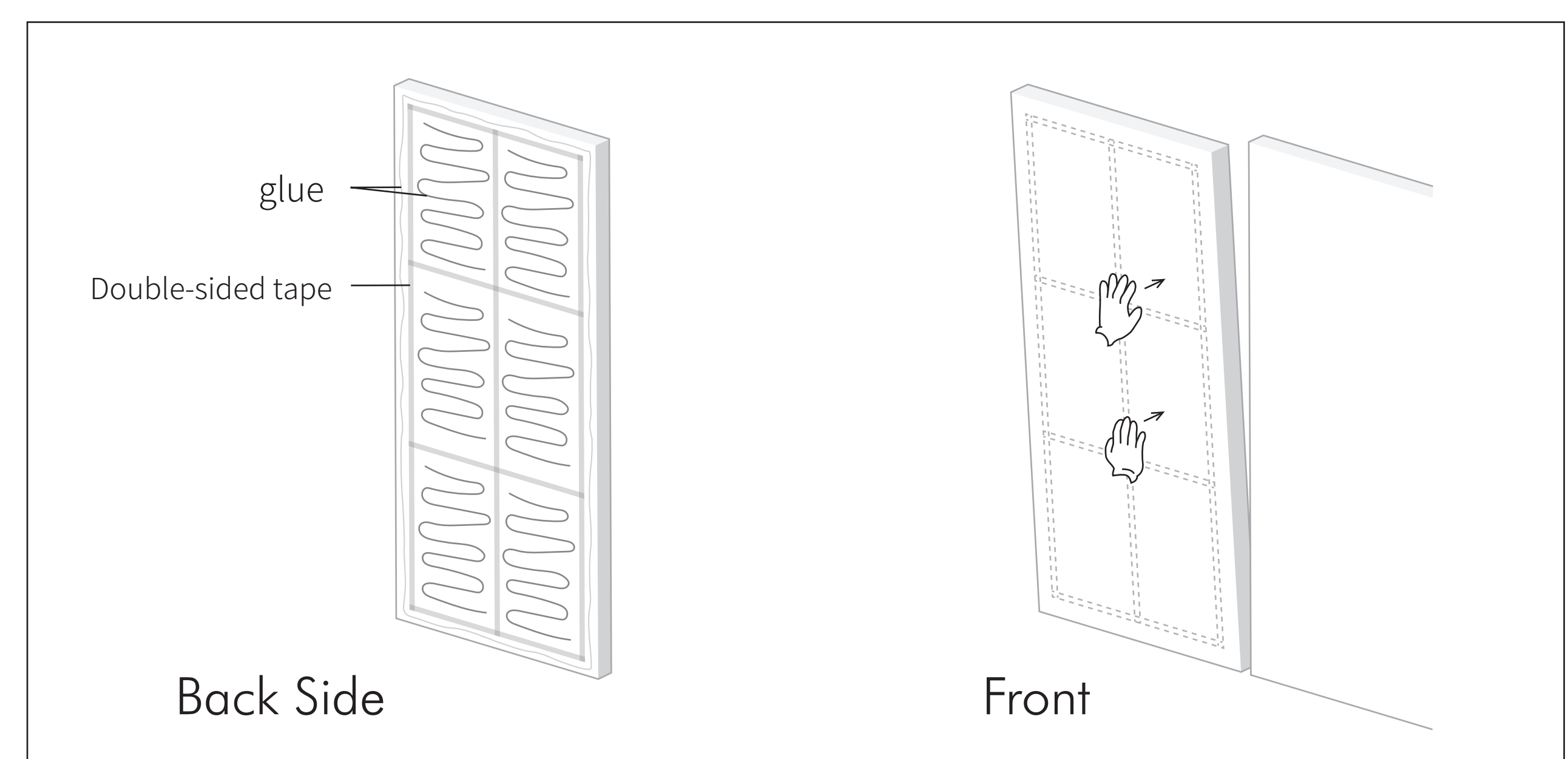
5 Adhesive Application



Do not forget to apply the adhesive on the edges. Otherwise, it could be delaminated. The adhesive should be applied 4mm by height; one column of adhesive should be 300mm away from the next column. After the adhesive application, the panel should be applied onto substrate under 10 minutes.

Recommended adhesive:
Structural caulking
(Similar to Dow Corning 759)

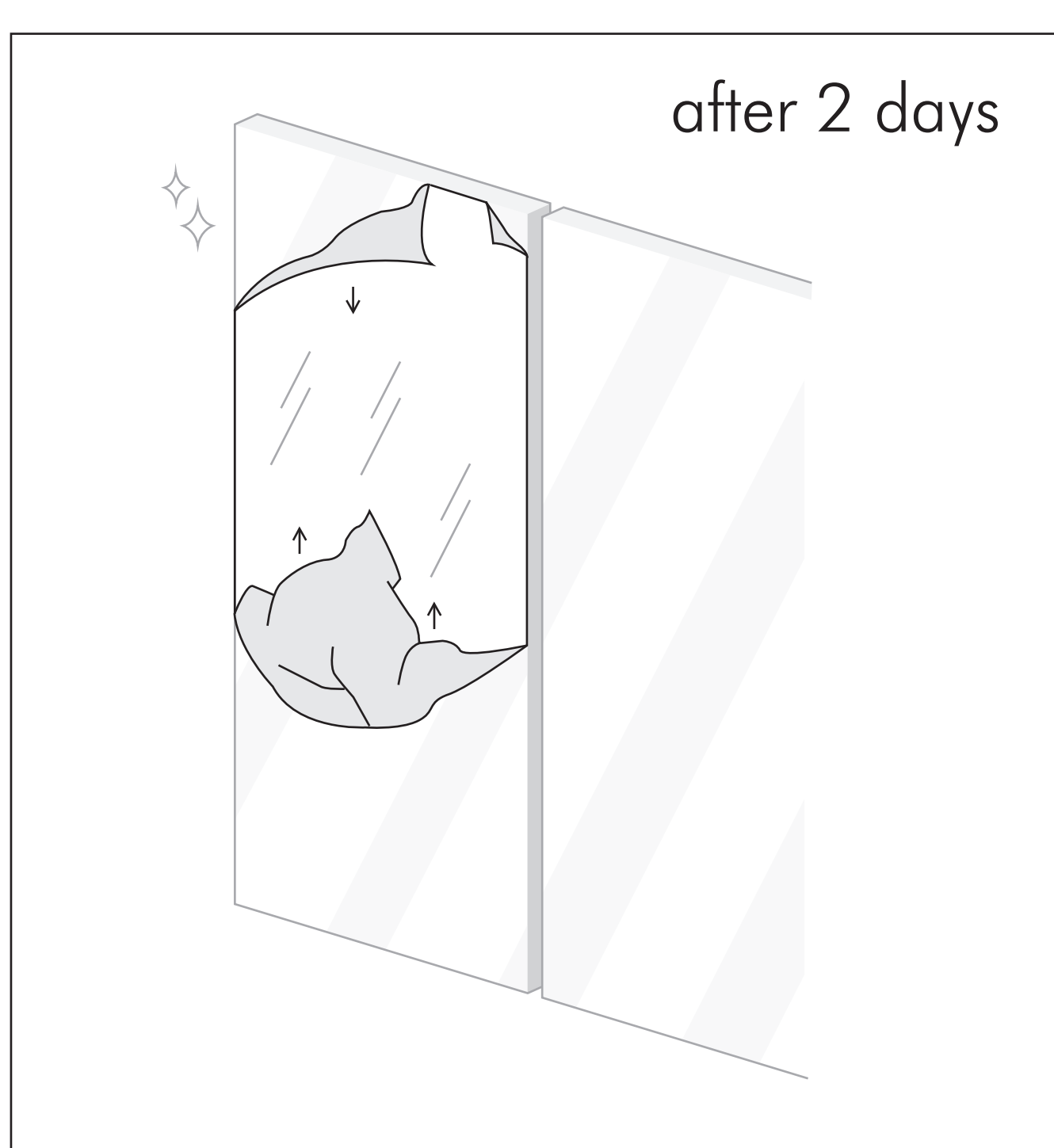
6 Wall Panel Application & Press



During application, make sure the center of the panel is completely applied onto the substrate.
(Double-sided tape is not adjustable after applying)

Only press where the double-sided tape pieces are at.
(Pressing the adhesive would force it to squeeze out of the panel)

7 Protection Film Removal



Remove protection film after 2 days of panel application. Slowly pull the film towards the center of the panel.

Product Information

1200 x 2400 x 3T
1200 x 3000 x 3T
1200 x 3600 x 3T

MELATONE Ltd.

MELATONE LTD (Headquarters)
54, Namdong dae-ro 153-gil, Gangnam-gu, Seoul, South Korea
T/ +82 32 723 7712 (7753)